

ECO 3" LED DOWNLIGHT

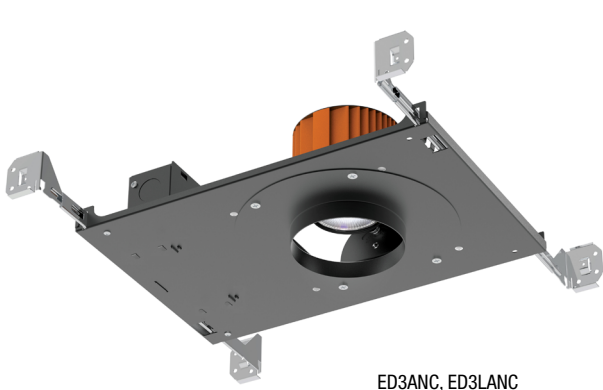
ED3AIC, ED3ANC, ED3NC, ED3RM
ED3LAIC, ED3LANC, ED3LNIC, ED3LRIC
ED3SNIC

PROJECT: _____

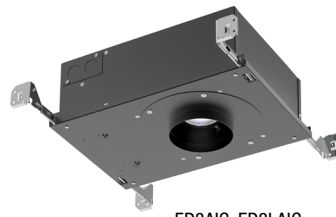
TYPE: _____

NOTE: _____

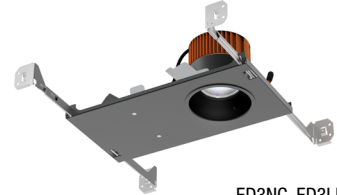
SPEC-00271 NEW ECO, 1", V-8.0, UPDATED 03/15/2024



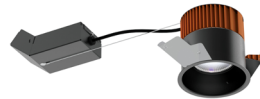
ED3ANC, ED3LANC



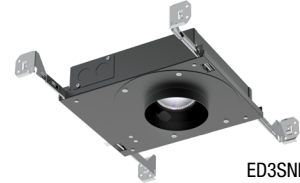
ED3AIC, ED3LAIC



ED3NC, ED3LNIC



ED3RM, ED3LRIC



ED3SNIC

LED LIGHT ENGINE

RATED WATTAGE	20.1W, 13.4W, 11.3W
DELIVERED LUMENS	Up to 1929 lm
EFFICACY	Up to 108 LPW
CCT @ 90CRI	2700K, 3000K, 3500K, 4000K, Warm Dim
COLOR QUALITY	90+ CRI, 2-Step SDCM
LED LIFETIME	55,000 hours @ L90

DELIVERED LUMENS MATRIX

ED3 (20.1W)	10° Optic	30° Optic	50° Optic	80° Optic
2700K (90CRI)	1669 lm	1744 lm	1592 lm	1125 lm
3000K (90CRI)	1803 lm	1884 lm	1720 lm	1216 lm
3500K (90CRI)	1846 lm	1929 lm	1761 lm	1244 lm
4000K (90CRI)	1900 lm	1985 lm	1812 lm	1281 lm

ED3 NIC, RIC (13.4W)	10° Optic	30° Optic	50° Optic	80° Optic
Warm Dim (98 CRI, R9>90)	868 lm	938 lm	846 lm	604 lm

ED3 AIC, ANC (20.1W)	10° Optic	30° Optic	50° Optic	80° Optic
Warm Dim (98 CRI, R9>90)	1195 lm	1291 lm	1165 lm	832 lm

ED3L (11.3W)	10° Optic	30° Optic	50° Optic	80° Optic
2700K (90CRI)	1061 lm	1108 lm	1012 lm	715 lm
3000K (90CRI)	1146 lm	1198 lm	1093 lm	773 lm
3500K (90CRI)	1173 lm	1226 lm	1119 lm	791 lm
4000K (90CRI)	1207 lm	1262 lm	1152 lm	814 lm

ED3S (13.4W)	10° Optic	30° Optic	50° Optic	80° Optic
2700K (90CRI)	1214 lm	1269 lm	1158 lm	819 lm
3000K (90CRI)	1312 lm	1371 lm	1252 lm	885 lm
3500K (90CRI)	1343 lm	1403 lm	1281 lm	905 lm
4000K (90CRI)	1382 lm	1445 lm	1319 lm	932 lm
Warm Dim (98 CRI, R9>90)	868 lm	938 lm	846 lm	604 lm

SILENT VU™ OPTICS TECHNOLOGY

OPTICS	50° Installed, 10°, 30°, 80° available
ADJUSTABLE	0° to 45° tilt (Adjustable housings only)
MEDIA	Clear, Solite, Frosted, Linear Spread

POWER SUPPLY

INPUT VOLTAGE	120/277V, 50/60Hz
DIMMING	TRIAC, ELV, 0-10V, dims to 1%
SERVICABILITY	Below Ceiling Access

TRIM OPTIONS

- Fixed or Adjustable
- Round or Square
- Standard or Trimless
- Wall Wash
- Wet Location

TRIM COLORS

- White
- Black
- Champagne
- Champagne w/ White Flange
- Black w/ White Flange
- Silver w/ White Flange

HOUSING INSTALLATION

- New Construction includes (2) galvanized steel adjustable hanger bars
- Remodel option available
- 5/8" ~ 2" ceiling thickness
- Min Plenum Height: 2½" Shallow
- Ceiling Material: Drywall, T-bar grid
- Steel junction box with up to (4) ½" knockouts
- AIC, NIC, RIC, SNIC models are Air Tight
- AIC, SNIC models are CCEA compliant.
(Note: polycell spray-in foam insulation must be kept 3" from housing)

LISTINGS AND WARRANTY

cULus Listed	ASTM E283 Certified Airtight (AIC, NIC, RIC, SNIC Models)
UL Listed for Damp Location (All Styles)	UL Listed for Wet Location (Wet Location Trim Style)
IC Rated and Non IC Rated Available	CCEA (Chicago Plenum) Approved (AIC, SNIC Models)
Five (5) years limited warranty	CA Title 24-JA8 Compliant (AIC, NIC, RIC, SNIC Models)



ECO 3" LED DOWNLIGHT

ED3AIC, ED3ANC, ED3NC, ED3RM
ED3LAIC, ED3LANC, ED3LNIC, ED3LRIC
ED3SNIC

PROJECT: _____

TYPE: _____

NOTE: _____

SPEC-00271 NEW ECO, 1", V-8.0, UPDATED 03/15/2024

ORDER MATRIX

ED3

ECO 3" HOUSING + LIGHT ENGINE ORDER MATRIX (Example: ED3AIC-309050-21S)

HOUSING BASE		LED PERFORMANCE			DRIVER ASSEMBLY	
FAMILY APERTURE	INSTALLATION TYPE	CCT	CRI	OPTIC	WATTAGE	LED DIMMING DRIVER
ED3 ECO 3"	AIC (Adjustable New Construction, IC, CCEA)	-27 (2700K)	90 (90 CRI)	50 (50° Flood) Installed 10°, 30°, 80° optics available from the Additional Optics Accessories table below	-21 (20.1W)	S³ Universal Dimming Driver (1%-100% 0-10V, TRIAC, ELV, 120V/277V)
	ANC (Adj New Construction)	-30 (3000K)				
	NC (New Construction)	-35 (3500K)				
	RM (Remodel)	-40 (4000K)				
ED3 ECO 3" Warm Dim	AIC¹ (Adjustable New Construction, IC, CCEA)	-WD² (1800K~3000K)	98 (98 CRI)	50 (50° Flood) Installed 10°, 30°, 80° optics available from the Additional Optics Accessories table below	-15¹ (13.4W) NIC or RIC Installation Type only	S³ Universal Dimming Driver (1%-100% 0-10V, TRIAC, ELV, 120V/277V)
	ANC¹ (Adj New Construction)	Warm Dim				
	NIC¹ (New Construction IC)	Warm Dim				
	RIC¹ (Remodel IC)	Warm Dim				

1. AIC or ANC Installation Type and Wattage Code -21.
NIC or RIC Installation Type and Wattage Code -15.

2. Wattage Code -21 Title 24 JA-8 compliant only with 10°, 30° or 50° optic installed.
3. TRIAC, ELV dimming for 120V only.

ED3L

ECO 3" HOUSING + LIGHT ENGINE ORDER MATRIX (Example: ED3LAIC-309050-12S2)

HOUSING BASE		LED PERFORMANCE			DRIVER ASSEMBLY	
FAMILY APERTURE	INSTALLATION TYPE	CCT	CRI	OPTIC	WATTAGE	LED DIMMING DRIVER
ED3L ECO 3" LPD	AIC (Adjustable New Construction, IC, CCEA)	-27 (2700K)	90 (90 CRI)	50 (50° Flood) Installed 10°, 30°, 80° optics available from the Additional Optics Accessories table below	-12 (11.3W)	S²1 Phase Control Dimming Driver (1%-100% TRIAC, ELV, 120V/277V)
	ANC (Adj New Construction)	-30 (3000K)				
	NIC (New Construction IC)	-35 (3500K)				
	RIC (Remodel IC)	-40 (4000K)				

1. TRIAC, ELV dimming for 120V only.

ED3S

ECO 3" HOUSING + LIGHT ENGINE ORDER MATRIX (Example: ED3SNIC-309050-15S)

HOUSING BASE		LED PERFORMANCE			DRIVER ASSEMBLY	
FAMILY APERTURE	INSTALLATION TYPE	CCT	CRI	OPTIC	WATTAGE	LED DIMMING DRIVER
ED3S ECO 3" Shallow	NIC (Shallow Plenum New Construction, IC, CCEA)	-27 (2700K)	90 (90 CRI)	50 (50° Flood) Installed 10°, 30°, 80° optics available from the Additional Optics Accessories table below	-15 (13.4W)	S¹ Universal Dimming Driver (1%-100% 0-10V, TRIAC, ELV, 120V/277V)
		-30 (3000K)				
		-35 (3500K)				
		-40 (4000K)				
ED3S ECO 3" Shallow Warm Dim	NIC (Shallow Plenum New Construction, IC, CCEA)	-WD (1800K~3000K)	98 (98 CRI)	50 (50° Flood) Installed	-15 (13.4W)	S¹ Universal Dimming Driver

1. TRIAC, ELV dimming for 120V only.

ORDER MATRIX

TRIM & TRIMLESS

ECO 3" DOWNLIGHT TRIM ORDER MATRIX (Example: ED3-RFSTWT)

FAMILY APERTURE	TRIM SHAPE	TRIM POSITION	TRIM STYLE	TRIM FINISH	
ED3- ECO 3" Flanged	R (Round)	F (Fixed)	ST (Standard)	WT (White)	BW³ (Black w/ White Flange)
	S (Square)	A (Adjustable)	WW^{1,2} (Wall Wash)	BK (Black)	SW³ (Silver w/ White Flange)
			WL¹ (Wet Location)	CN (Champagne)	CW³ (Champagne w/ White Flange)

1. Use F (Fixed Position) for WW (Wall Wash) and WL (Wet Location) style.
2. WW (Wall Wash) Style Trim ships with recommended 80° optic.
3. Color option available in ST (Standard) Style only.

ECO 3" DOWNLIGHT TRIMLESS ORDER MATRIX (Example: ED3-KRFSTWT)

FAMILY APERTURE	KIT	REFLECTOR SHAPE	REFLECTOR POSITION	REFLECTOR STYLE	REFLECTOR FINISH
ED3- ECO 3" Trimless	K (Reflector and Mudplate Kit)	R (Round)	F (Fixed)	ST (AIC (Adjustable IC), ANC (Adjustable Non-IC), SNIC (Shallow) housing types only)	WT (White)
		S¹ (Square)	A¹ (Adjustable)		BK (Black)
					RM (NC (Fixed), RM (Remodel) housing types only)

1. S (Square) and A (Adjustable) not available for RM Reflector Style.

ACCESSORIES

ECO 3" ACCESSORIES FOR ECO ED3, ED3L, ED3S

ADDITIONAL OPTICS	OPTICAL MEDIA	EMERGENCY OPTIONS
ED3-10-OPTIC¹ (10° Spot)	ED3-CL (Clear Lens)	EM-1000 (25W Remote Inverter)
ED3-30-OPTIC¹ (30° Narrow Flood)	ED3-MP¹ (Solite Lens)	EM-1002 (10W Remote EM Driver)
ED3-50-OPTIC¹ (50° Flood)	ED3-FR² (Frosted Lens)	EM-1003-CA (35W Remote Inverter) Title 20
ED3-80-OPTIC² (80° Wide Flood)	ED3-LS (Linear Spread Lens)	EM-1004 (50W Remote Inverter)
	ED3-HEX³ (Hex Louver)	EM-1006 (25W Remote Inverter) Title 20
	ED3-MHLDR^{4,5} (Media Holder)	

1. WD with 10°, 30°, 50° Optic requires MP (Solite Lens).
2. WD with 80° Optic requires FR (Frosted Lens).
3. Only available for AIC, LAIC, ANC, LANC, SNIC housings, media holder required.
4. MHLDR required when ordering 2 optical media.
5. MHLDR only compatible with AIC, ANC and SNIC.

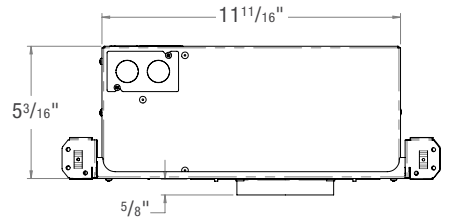
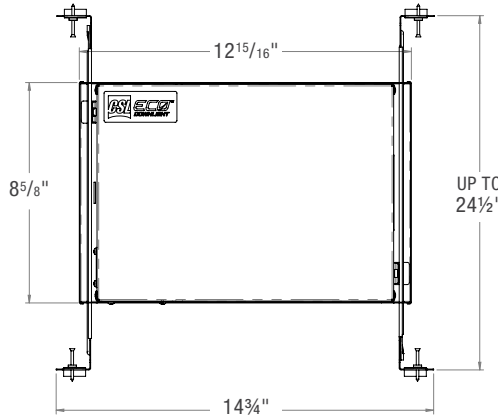
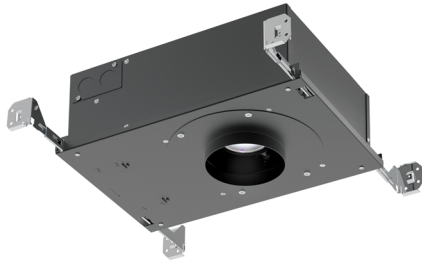
TRIM ACCESSORIES

ECO 3" TRIM ACCESSORIES ORDER MATRIX (Example: ED3-R-TL)

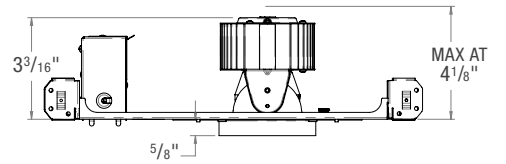
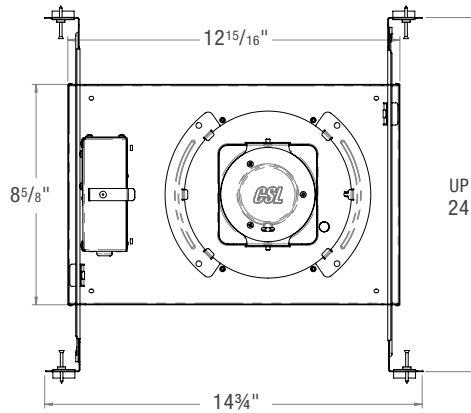
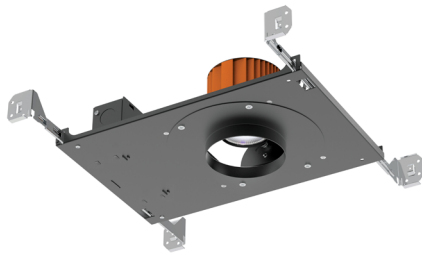
SIZE	STYLE	
ED3- ECO 3"	R-TL (Round Trimless Mudplate for AIC/ANC/SNIC)	R-FMA (Round Flush Mount Adapter)
	R-RMTL (Round Trimless Mudplate for RM/NC)	S-FMA (Square Flush Mount Adapter)
	S-TL (Square Trimless Mudplate/Housing Collar)	TC1 (Thick Ceiling Adapter for ceilings 11/16" to 1 1/4")
		TC2 (Thick Ceiling Adapter for ceilings 1 5/16" to 2")

HOUSING AND LIGHT ENGINE LINE DRAWINGS

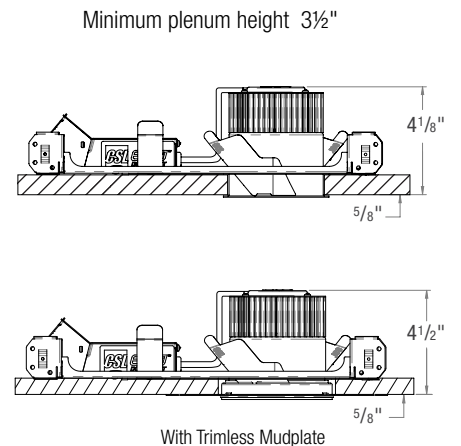
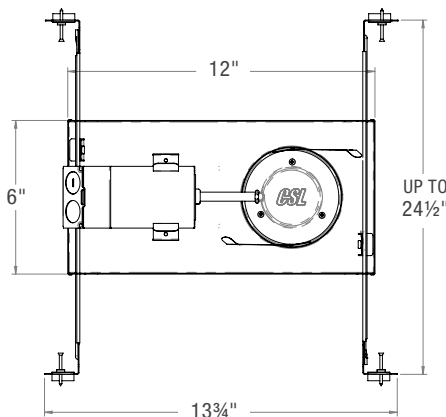
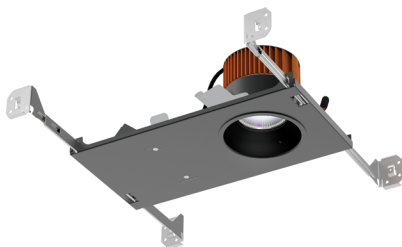
ED3AIC, ED3LAIC



ED3ANC, ED3LANC

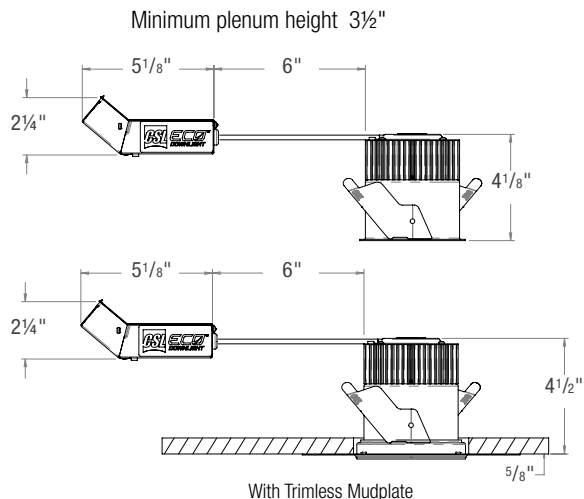
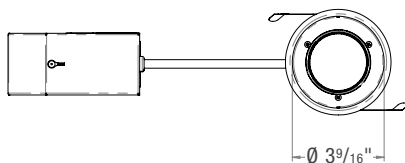
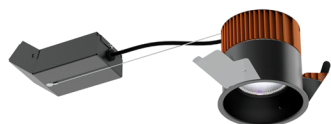


ED3NC, ED3LNIC

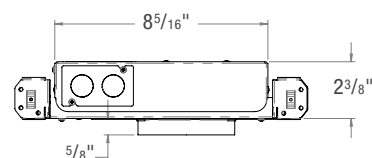
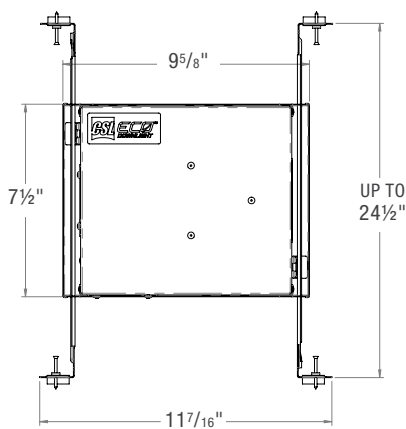
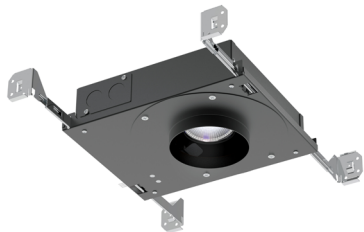


HOUSING AND LIGHT ENGINE LINE DRAWINGS

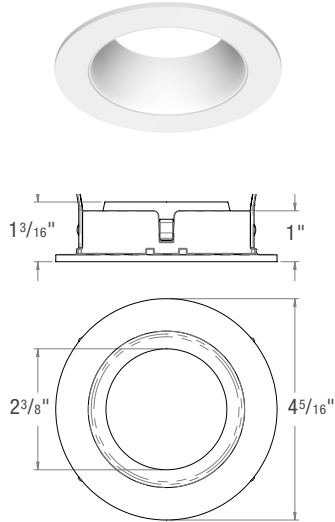
ED3RM, ED3LRIC



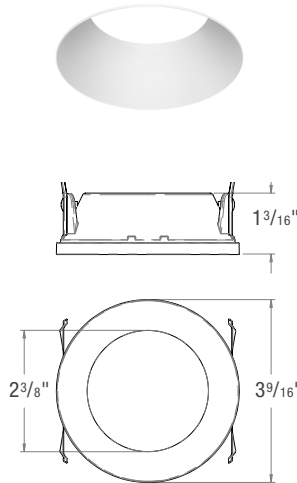
ED3SNIC



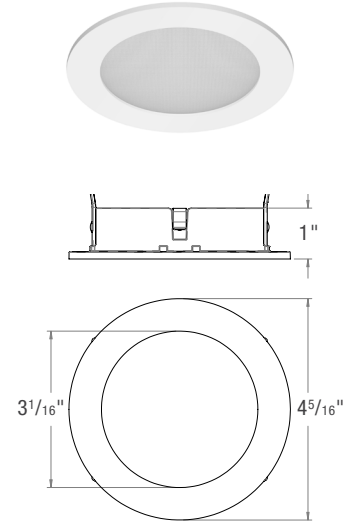
TRIM STYLES



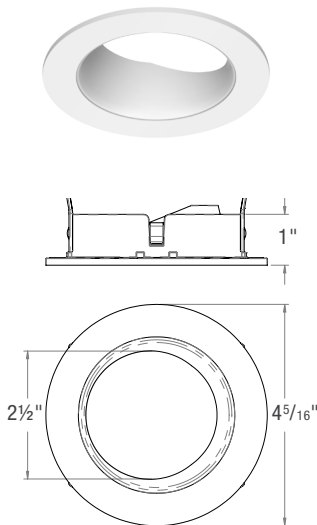
ED3-RFST
Round Fixed Standard



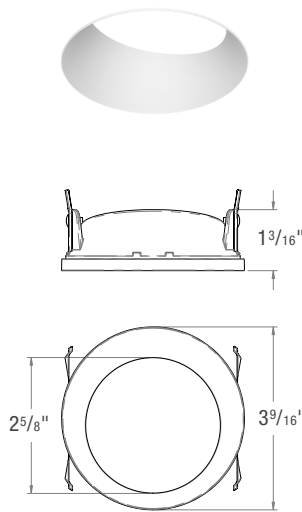
ED3-RFTL
Round Fixed Trimless



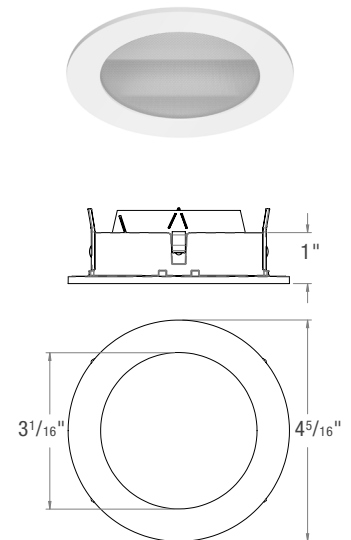
ED3-RFWL
Round Fixed Wet Location



ED3-RAST
Round Adjustable Standard
Adjustable trim styles for use
with adjustable AIC and ANC models only.

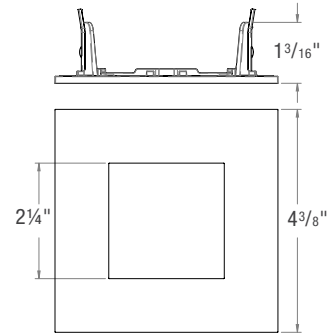
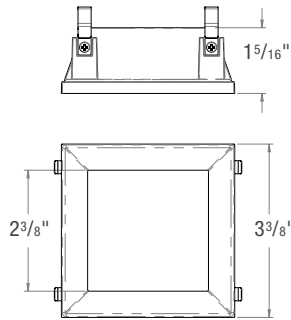
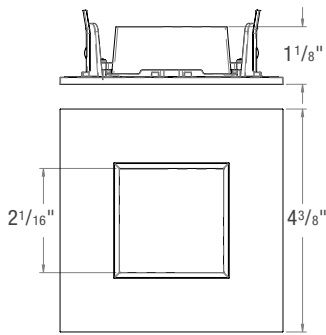
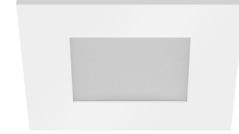


ED3-RATL
Round Adjustable Trimless
Adjustable trim styles for use with adjustable AIC
and ANC models only.



ED3-RFWW
Round Fixed Wall Wash

TRIM STYLES



ED3-SFST

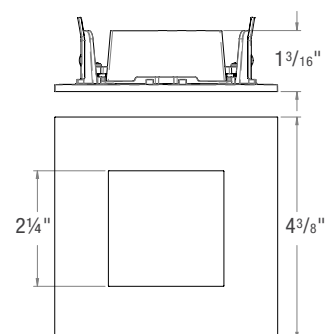
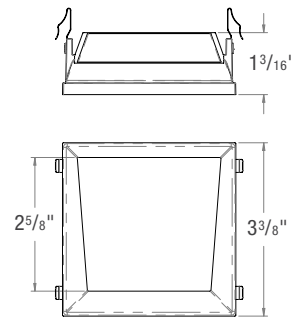
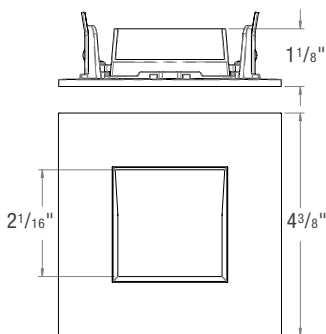
Square Fixed Standard

ED3-SFTL

Square Fixed Trimless

ED3-SFWL

Square Fixed Wet Location



ED3-SAST

Square Adjustable Standard
Adjustable trim styles for use
with adjustable AIC and ANC models only.

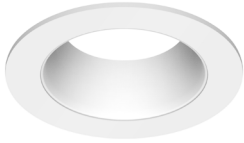
ED3-SATL

Square Adjustable Trimless
Adjustable trim styles for use with adjustable AIC
and ANC models only.

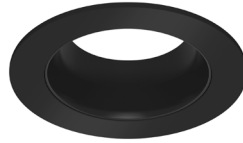
ED3-SFWW

Square Fixed Wall Wash

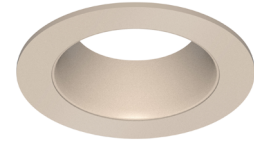
TRIM FINISHES



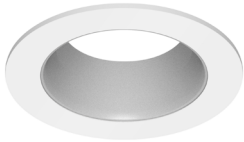
ED3-RFSTWT
WT (White Reflector with White Trim)



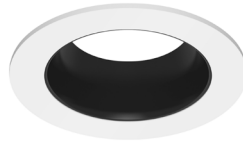
ED3-RFSTBK
BK (Black Reflector with Black Trim)



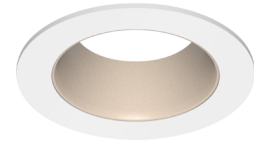
ED3-RFSTCN
CN (Champagne Reflector with Champagne Trim)



ED3-RFSTSW
SW (Silver Reflector with White Trim)



ED3-RFSTBW
BW (Black Reflector with White Trim)



ED3-RFSTCW
CW (Champagne Reflector with White Trim)



ED3-SFSTWT
WT (White Reflector with White Trim)



ED3-SFSTBK
BK (Black Reflector with Black Trim)



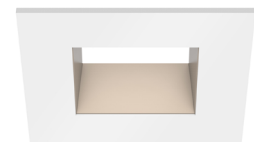
ED3-SFSTCN
CN (Champagne Reflector with Champagne Trim)



ED3-SFSTSW
SW (Silver Reflector with White Trim)

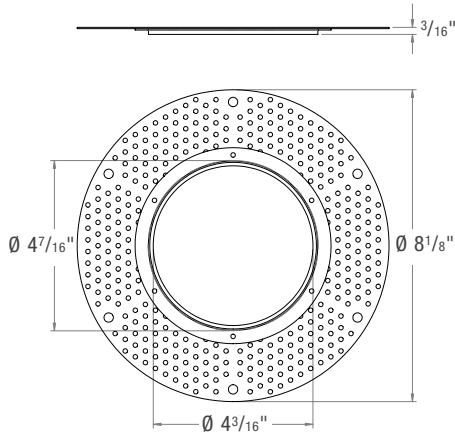


ED3-SFSTBW
BW (Black Reflector with White Trim)

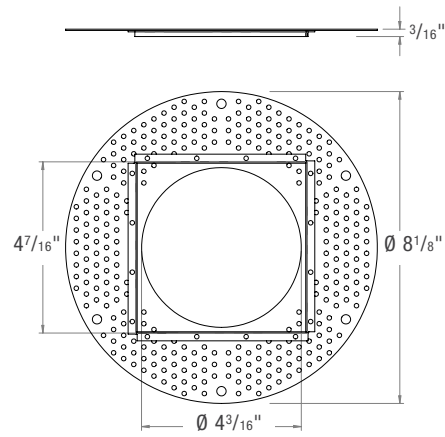


ED3-SFSTCW
CW (Champagne Reflector with White Trim)

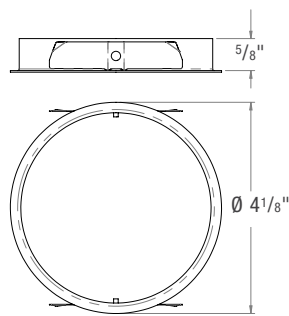
ACCESSORIES



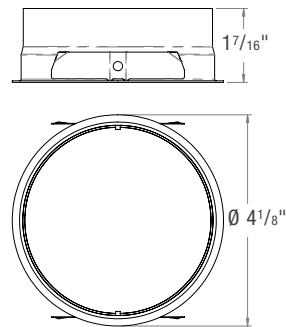
ED3-R-FMA
Round Flush Mount Adapter



ED3-S-FMA
Square Flush Mount Adapter

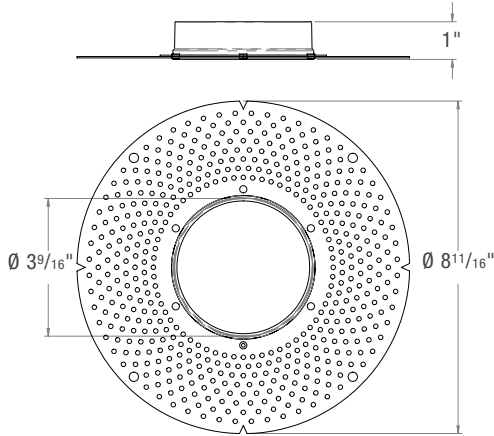


ED3-TC1
Thick Ceiling Adapter
for ceilings 1 1/16" to 1 1/4"



ED3-TC2
Thick Ceiling Adapter
for ceilings 1 5/16" to 2"

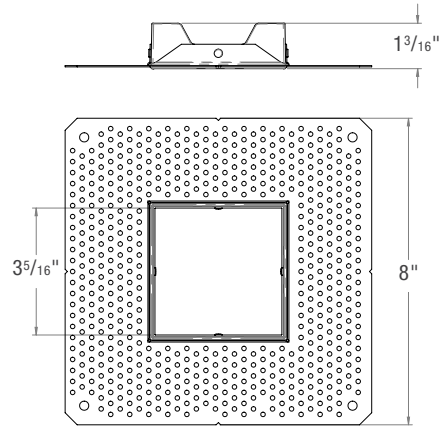
TRIMLESS ACCESSORIES



ED3-R-TL

Round Trimless Mudplate

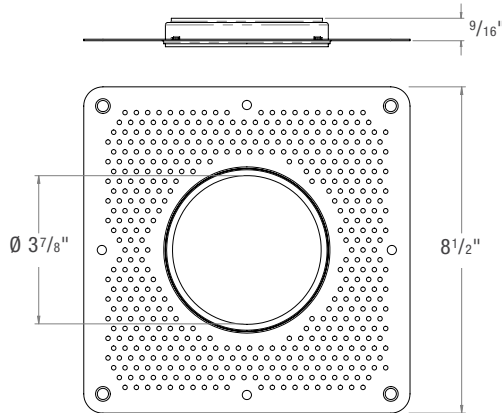
For use with AIC, ANC, SNIC housings only



ED3-S-TL

Square Trimless Mudplate

For use with AIC, ANC, SNIC housings only



ED3-R-RMTL

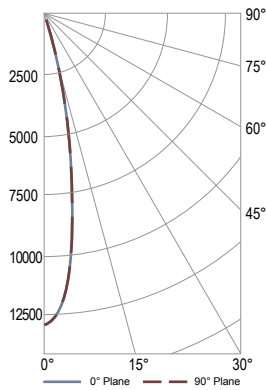
Round Trimless Mudplate

For use with NC, NIC, RM, RIC housings only

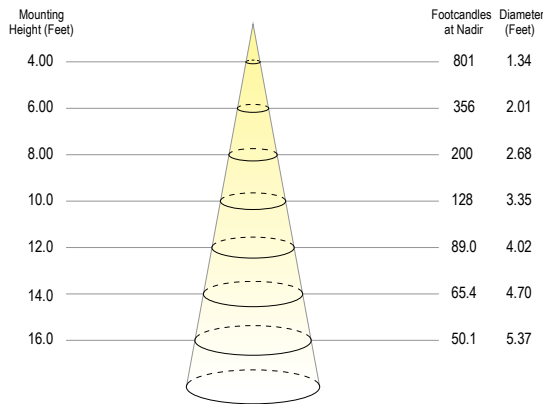
PHOTOMETRICS

Eco Downlight 3" ANC model (2700K, 90 CRI, 10° Optic, 21W)
Round, Standard, White Trim

Polar Plot



Cone of Light Tabulation



Voltage	Current	Power
120.1 VAC	0.1664 A	19.62 W

Power Factor	Frequency	Current THD
0.982	60 Hz	16.8%

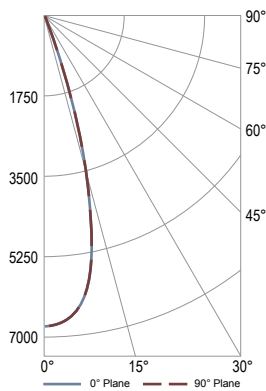
Summary of Results

Spacing Criteria 0-180: 0.34
90-270: 0.34
Total Lumen Output: 1669 Lumens
Luminaire Efficacy: 85.0 lm/w
Maximum Candela: 12818 Candela

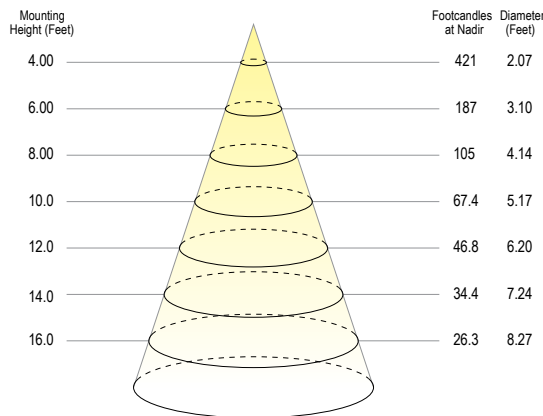
Zone	Lumens	% of Luminaire
0-40	1652	99.0%
0-60	1663	99.6%
0-90	1669	100.0%

Eco Downlight 3" ANC model (2700K, 90 CRI, 30° Optic, 21W)
Round, Standard, White Trim

Polar Plot



Cone of Light Tabulation



Voltage	Current	Power
120.1 VAC	0.1662 A	19.60 W

Power Factor	Frequency	Current THD
0.982	60 Hz	16.8%

Summary of Results

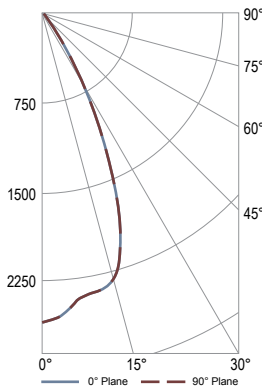
Spacing Criteria 0-180: 0.52
90-270: 0.52
Total Lumen Output: 1701 Lumens
Luminaire Efficacy: 86.8 lm/w
Maximum Candela: 6743 Candela

Zone	Lumens	% of Luminaire
0-40	1684	99.0%
0-60	1697	99.7%
0-90	1701	100.0%

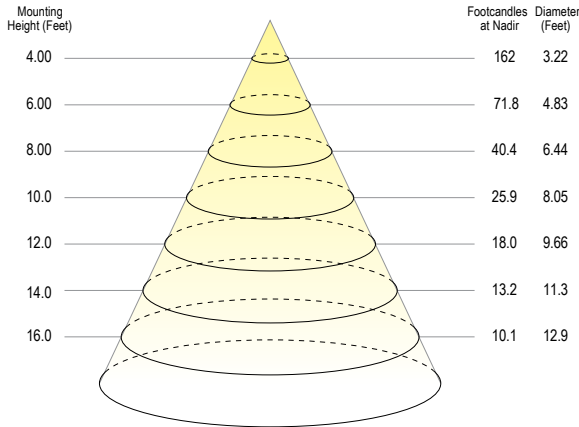
PHOTOMETRICS

Eco Downlight 3" ANC model (2700K, 90 CRI, 50° Optic, 21W)
Round, Standard, White Trim

Polar Plot



Cone of Light Tabulation



Voltage	Current	Power
120.1 VAC	0.1663 A	19.62 W

Power Factor	Frequency	Current THD
0.982	60 Hz	16.8%

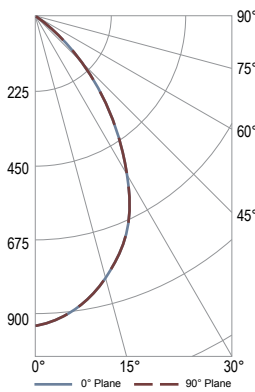
Summary of Results

Spacing Criteria 0-180: 0.80
90-270: 0.80
Total Lumen Output: 1592 Lumens
Luminaire Efficacy: 81.2 lm/w
Maximum Candela: 2586 Candela

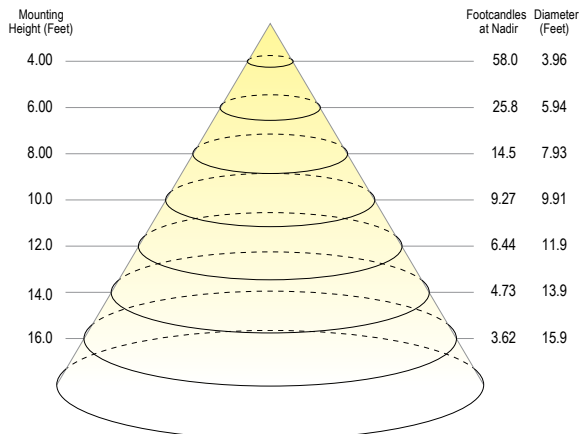
Zone	Lumens	% of Luminaire
0-40	1555	97.7%
0-60	1587	99.7%
0-90	1592	100.0%

Eco Downlight 3" ANC model (2700K, 90 CRI, 80° Optic, 21W)
Round, Standard, White Trim

Polar Plot



Cone of Light Tabulation



Voltage	Current	Power
120.0 VAC	0.1740 A	20.71 W

Power Factor	Frequency	Current THD
0.991	60 Hz	9.97%

Summary of Results

Spacing Criteria 0-180: 0.99
90-270: 0.99
Total Lumen Output: 1125 Lumens
Luminaire Efficacy: 54.3 lm/w
Maximum Candela: 927 Candela

Zone	Lumens	% of Luminaire
0-40	896	79.6%
0-60	1106	98.3%
0-90	1125	100.0%

FOR DRIVER TYPE "S"


Universal Dimming Driver, ED3 and ED3S only

Compatible Phase Control Dimmers			
MFG	Model	MFG	Model
Lutron	LGCL-153PL	Leviton	VPE06
Lutron	DVRP-253P	Leviton	DW1KD-1BZ
Lutron	RRD-6CL	Leviton	IPE04
Lutron	NTELV-600P	Leviton	IPL06
Lutron	DVELV-303P	Cooper	SAL06P
Lutron	MAELV-600		
Lutron	PD-6WCL		
Lutron	SELV-300P		
Lutron	DVCL-153P		

Compatible dimmer information provided by the dimming driver manufacturer

Compatible 0-10VDC Dimmers	
MFG	Model
Lutron	NFTV
Lutron	DVTV
Lutron	DVSTV
Leviton	IP710-LFZ
Lightolier	SR1200ZTUNV
Cooper	SF10P-W
Leviton	IP710-DL

Compatible dimmer information provided by the dimming driver manufacturer

 ECO DOWNLIGHTS	ECO 3" LED DOWNLIGHT	PROJECT: _____
	ED3AIC, ED3ANC, ED3NC, ED3RM ED3LAIC, ED3LANC, ED3LNIC, ED3LRIC ED3SNIC	TYPE: _____
SPEC-00271 NEW ECO, 1", V-8.0, UPDATED 03/15/2024		NOTE: _____

FOR DRIVER TYPE "S2"

Phase Control Dimming Driver, ED3L only

Compatible Phase Control Dimmers			
MFG	Model	MFG	Model
Lutron	S-603PG	Leviton	6631-LW
Lutron	DVCL-153P	Leviton	VPE06
Lutron	TGCL-153P	Leviton	6683-IW
Lutron	S600P	Leviton	6161
Lutron	DVELV303P	Leviton	6633-P
Lutron	SELV300P	Leviton	IPE04
Lutron	TG-600P	Cooper	DLC03P
Lutron	LG600P	Cooper	SLC03P
Lutron	CT103P	Cooper	DAL06P
Lutron	MAELV600	Lightolier	ZP260QEW
Lutron	FAELV500		

Compatible dimmer information provided by the dimming driver manufacturer